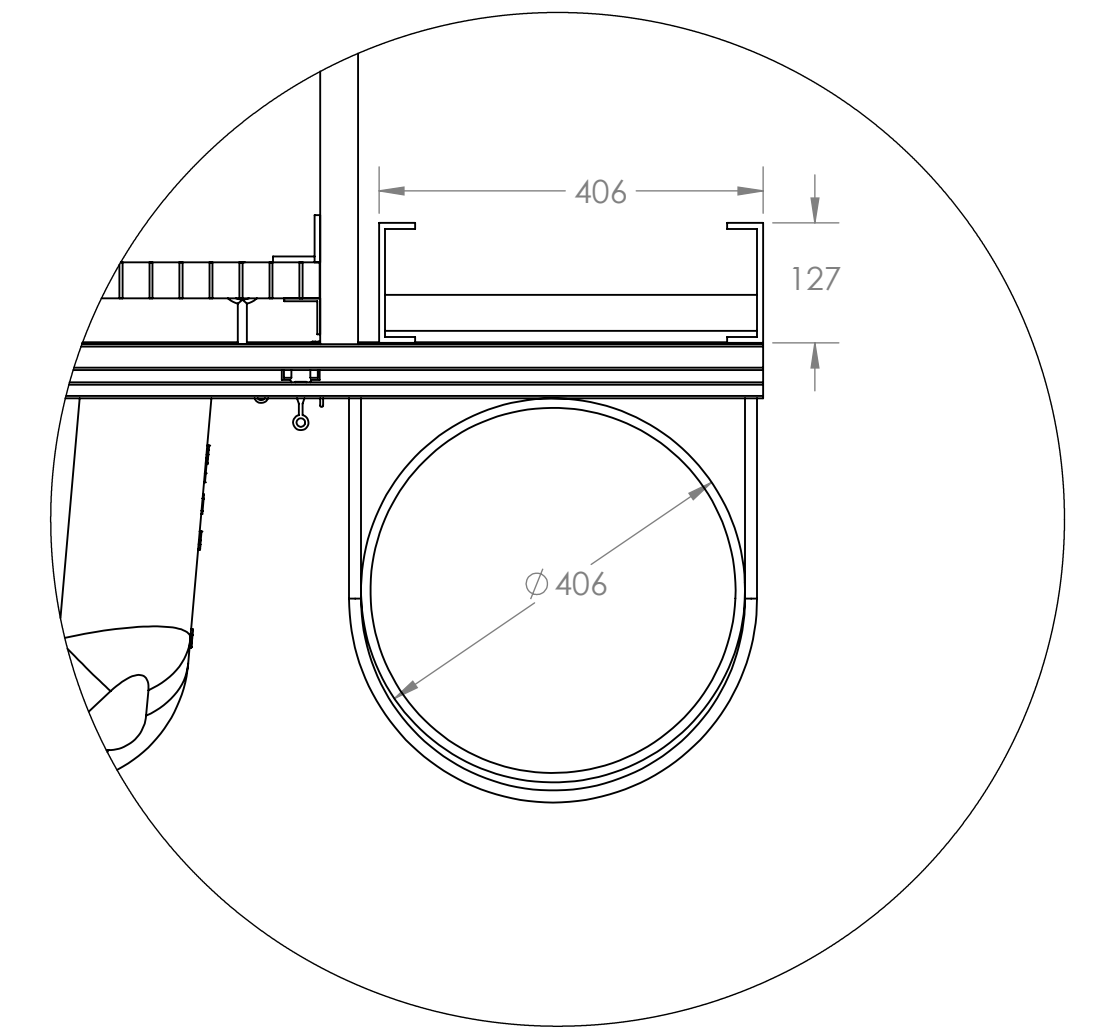
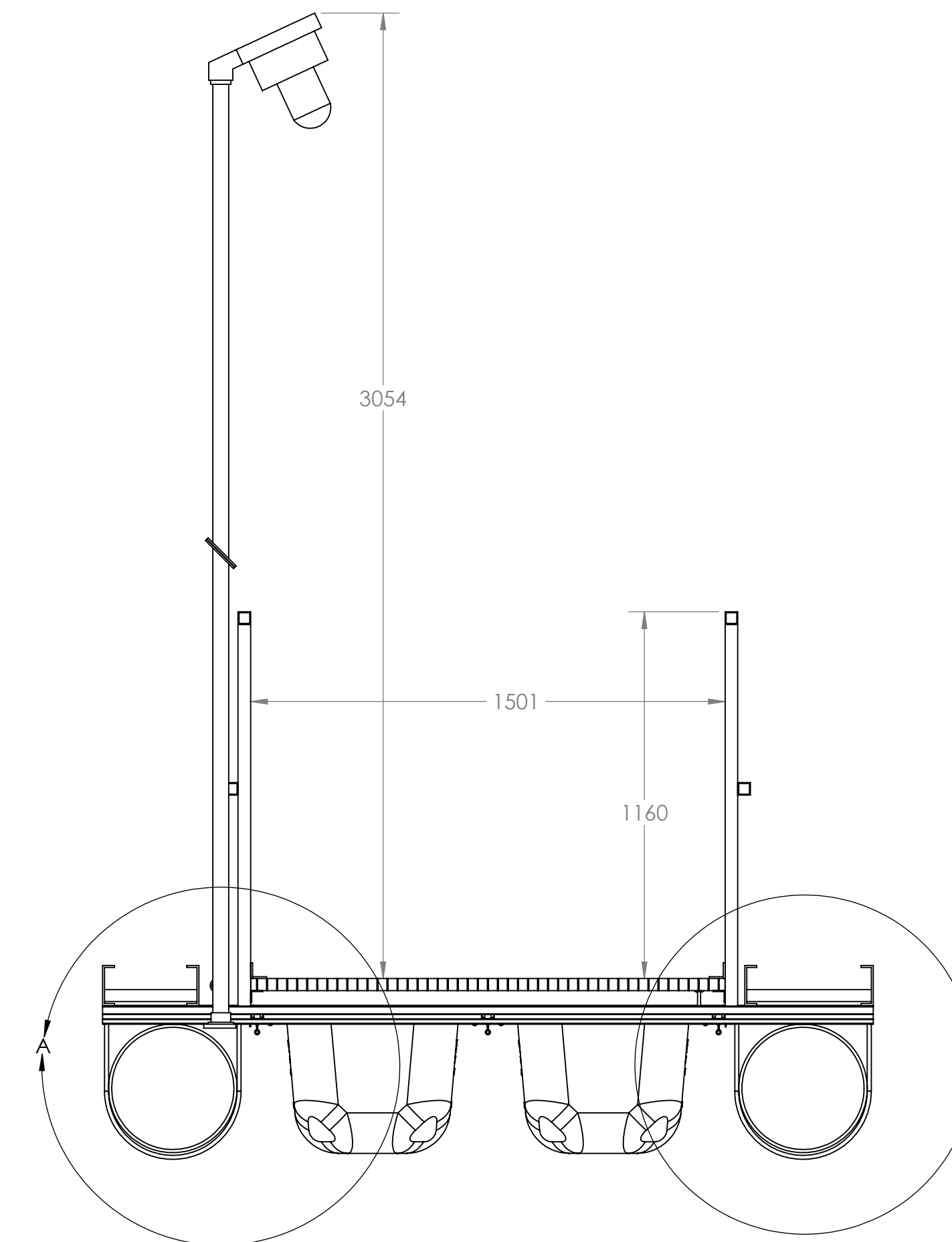
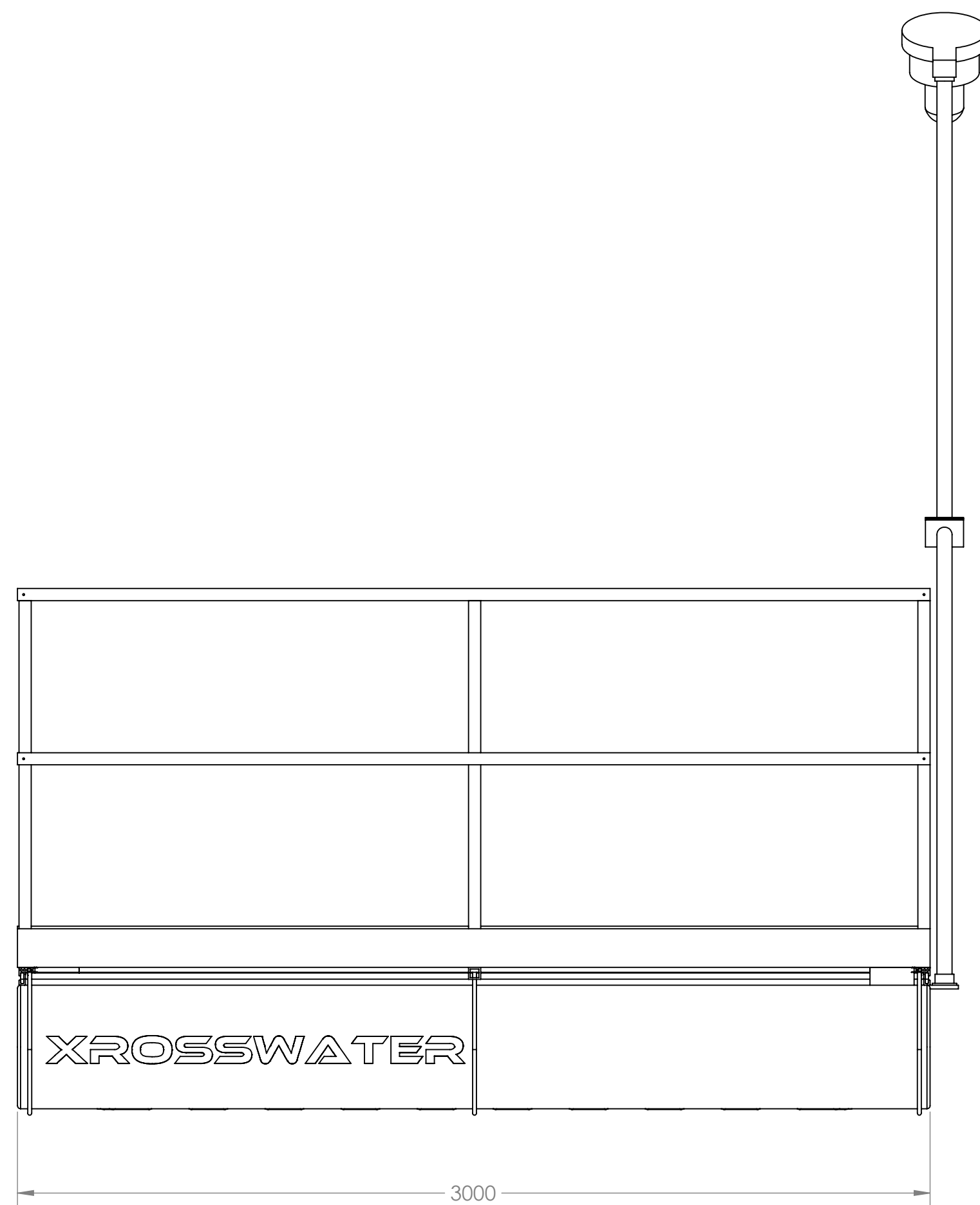


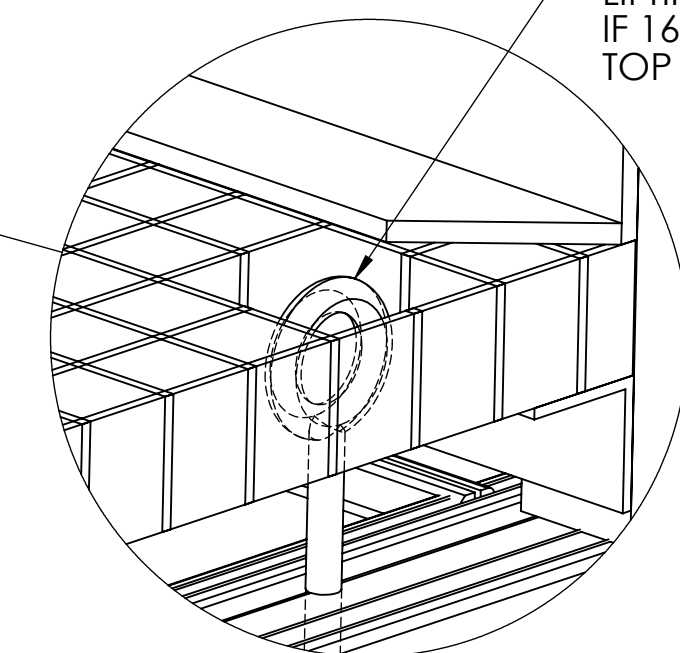
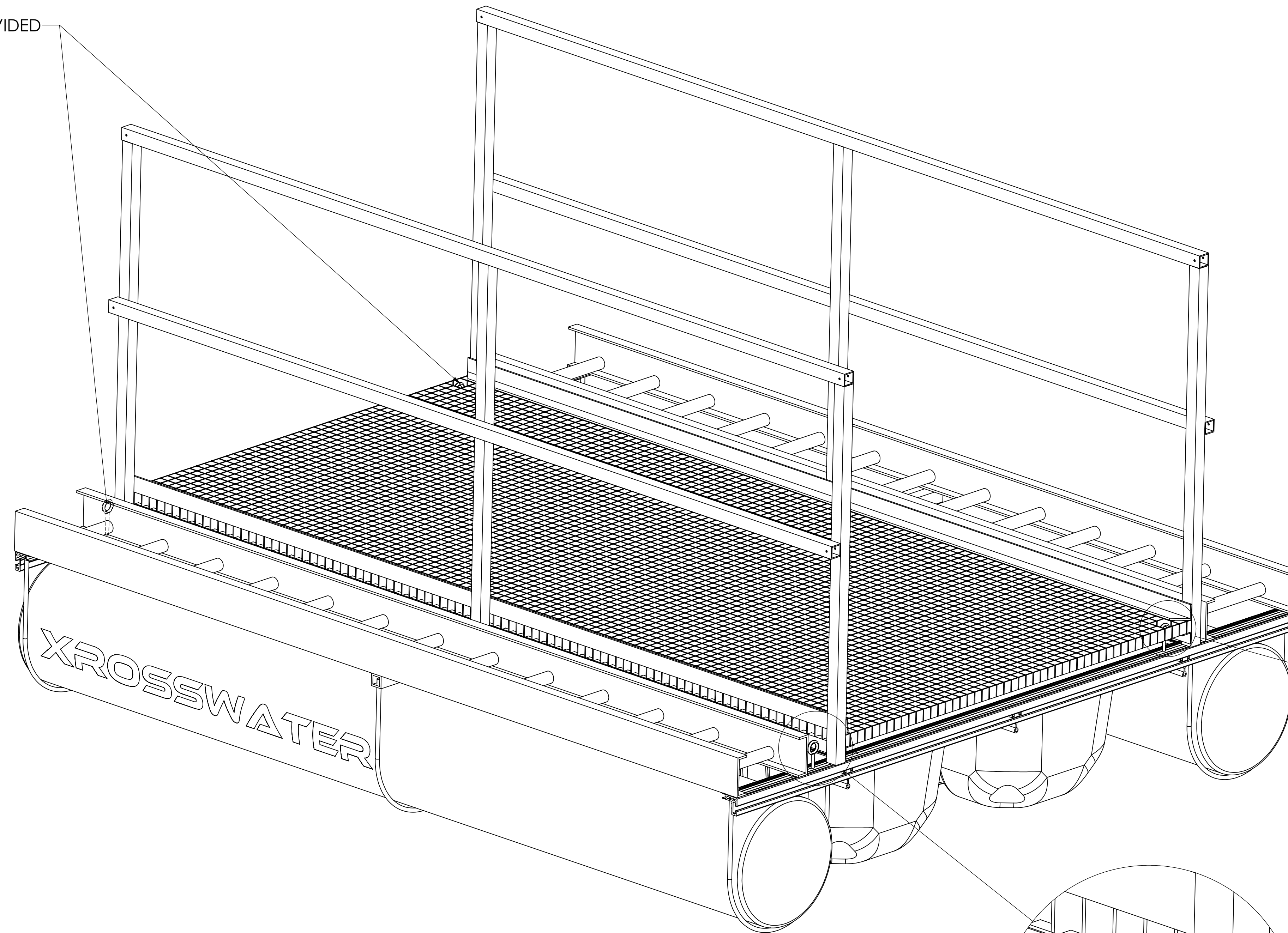
DETAIL A
SCALE 1 : 8



DETAIL B
SCALE 1 : 8

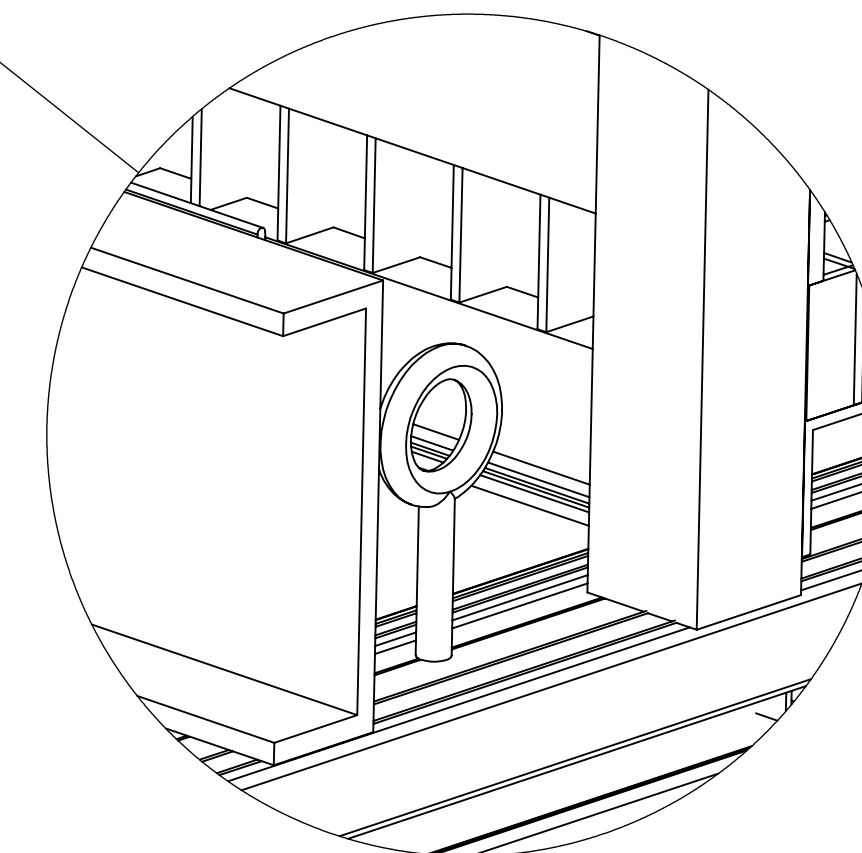


4 LIFTING POINTS PROVIDED



LIFTING EYE IS MOUNTED INBOARD
IF 16 INCH CABLE TRAY IS DESIRED
TOP OF LIFTING EYE IS FLUSH WITH GRATE

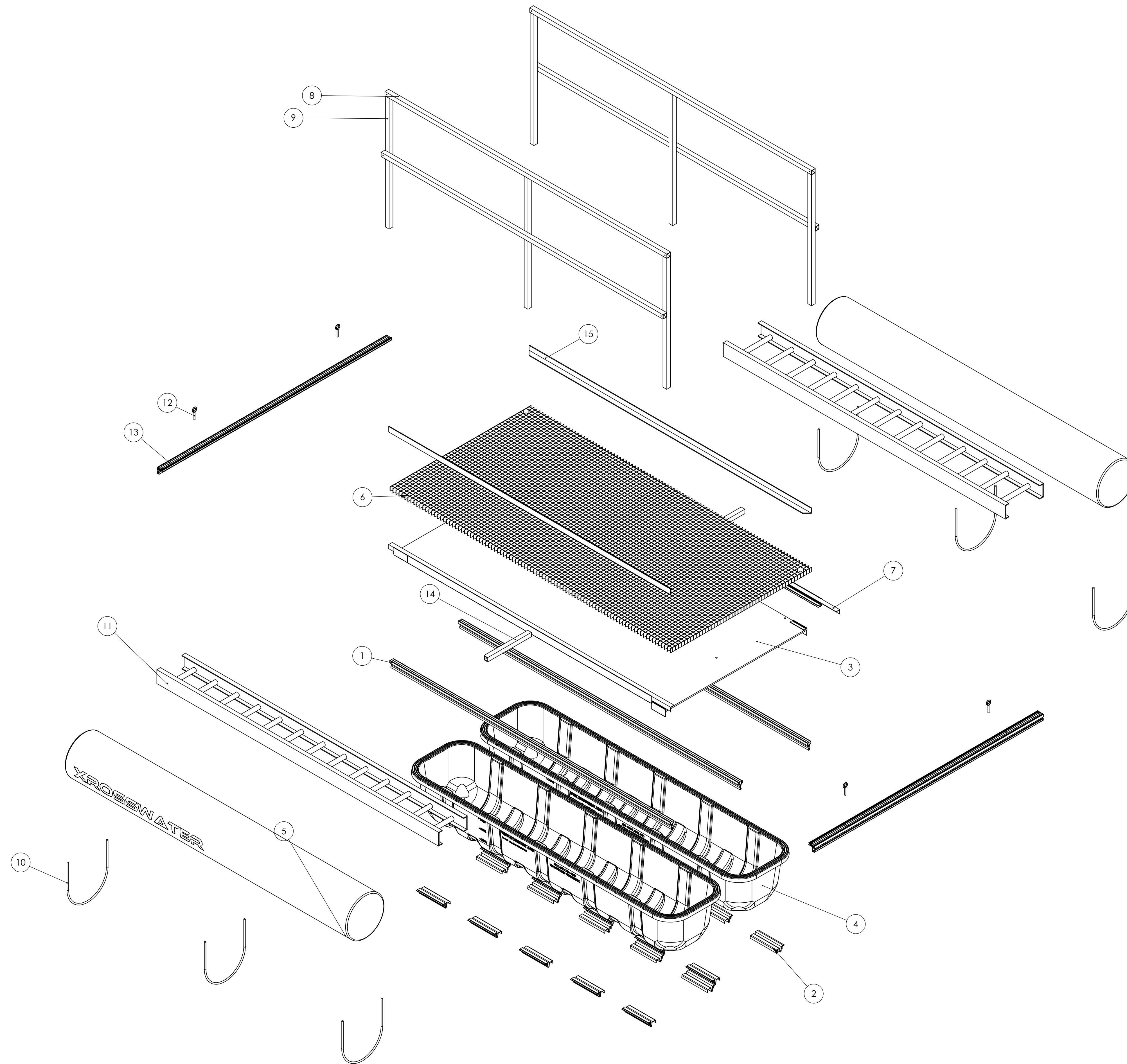
DETAIL D
SCALE 1 : 2



DETAIL C
SCALE 1 : 2

XROSSWATER LTD
the better way!

XROSSWATER WALKWAY
SHEET 2 OF 3
4/5/2014



BILL OF MATERIAL		
ITEM	QTY	DESCRIPTION
1	3	XTR 1
2	4	XTR 5
3	1	XW DECK
4	2	XW FLOAT
5	2	SECONDARY FLOAT
6	1	GRATE
7	2	GRATE MOUNT BRACKET
8	4	HANDRAIL
9	6	STANCHION
10	6	U BOLT
11	2	CABLE TRAY
12	4	EYE BOLT
13	2	XTR-3
14	2	MIDDLE CANTILEVER STRUT
15	2	TOE RAIL